

4

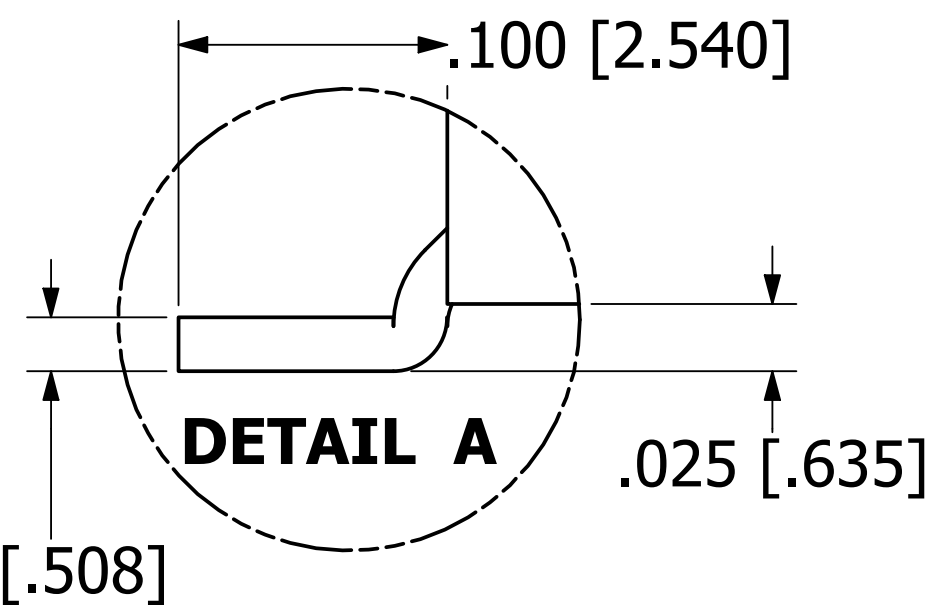
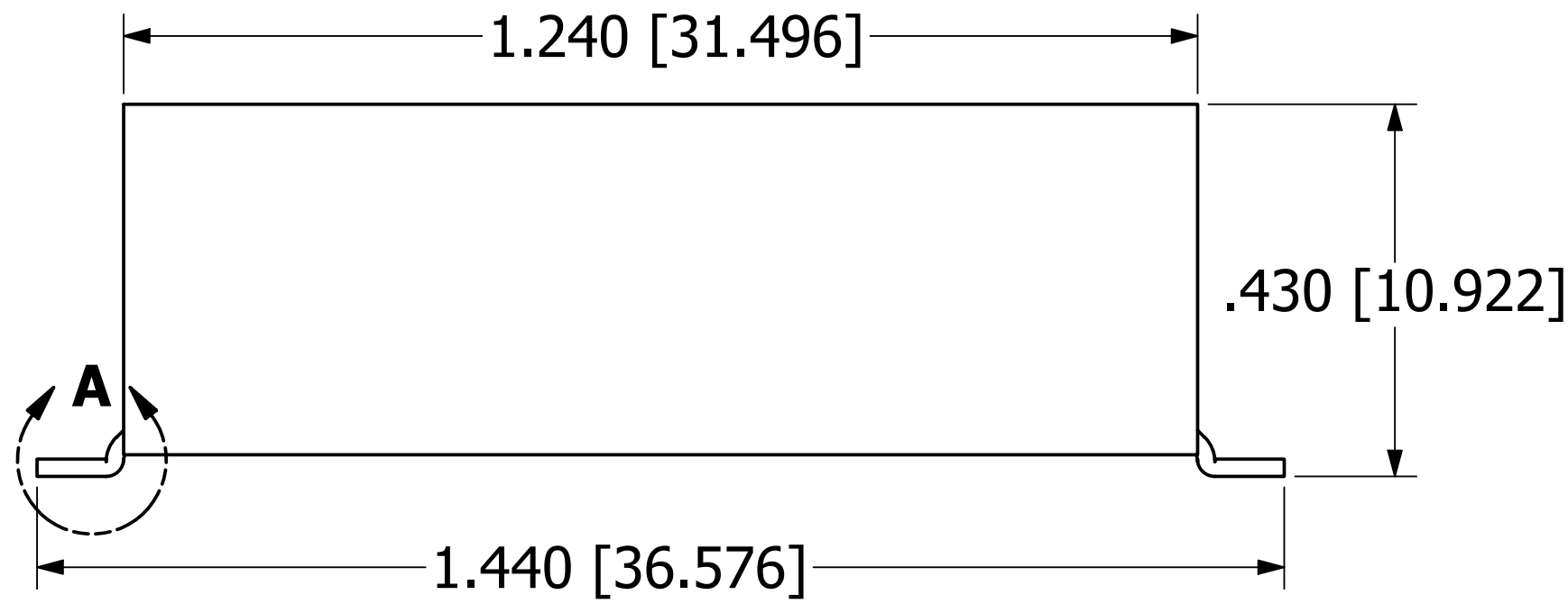
3

2

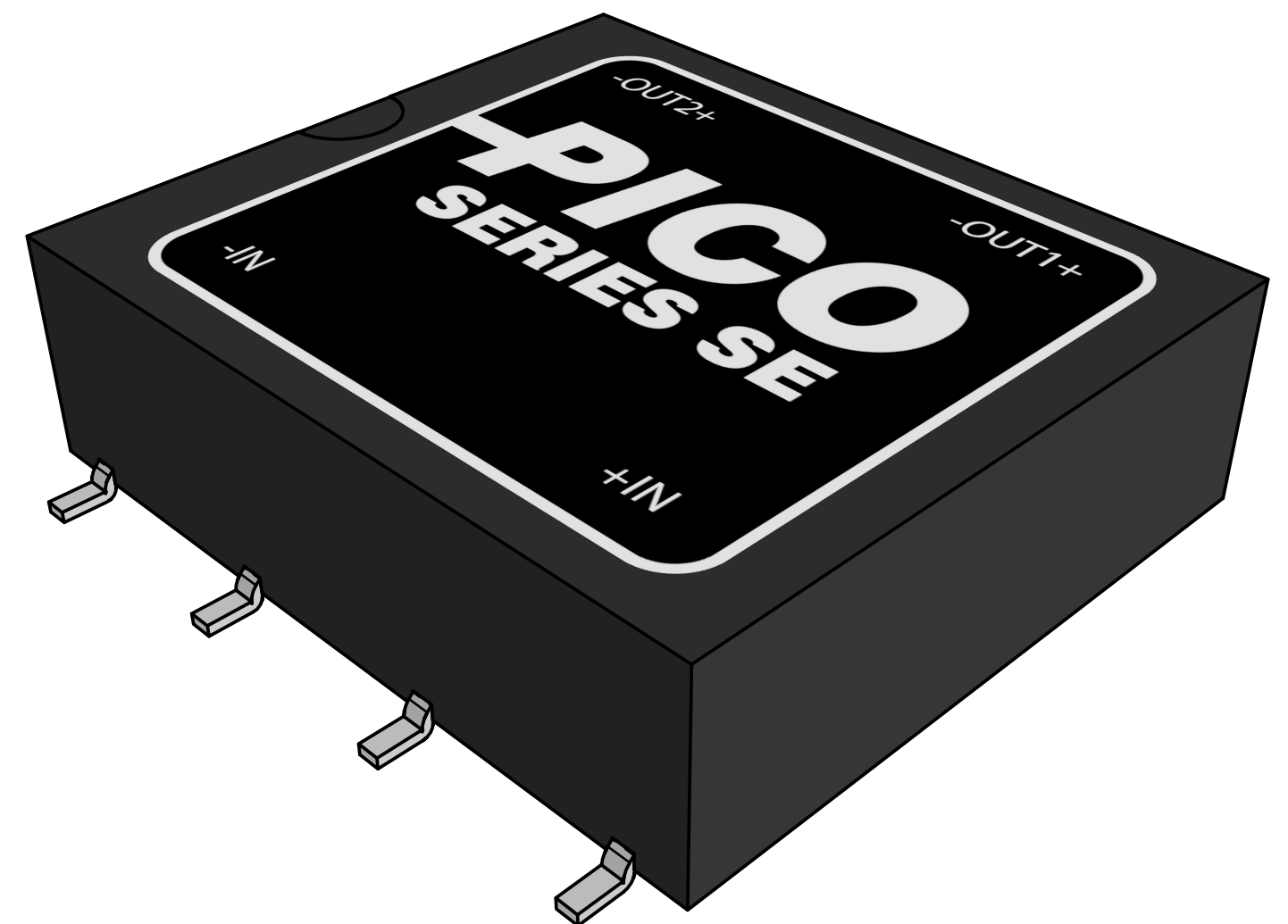
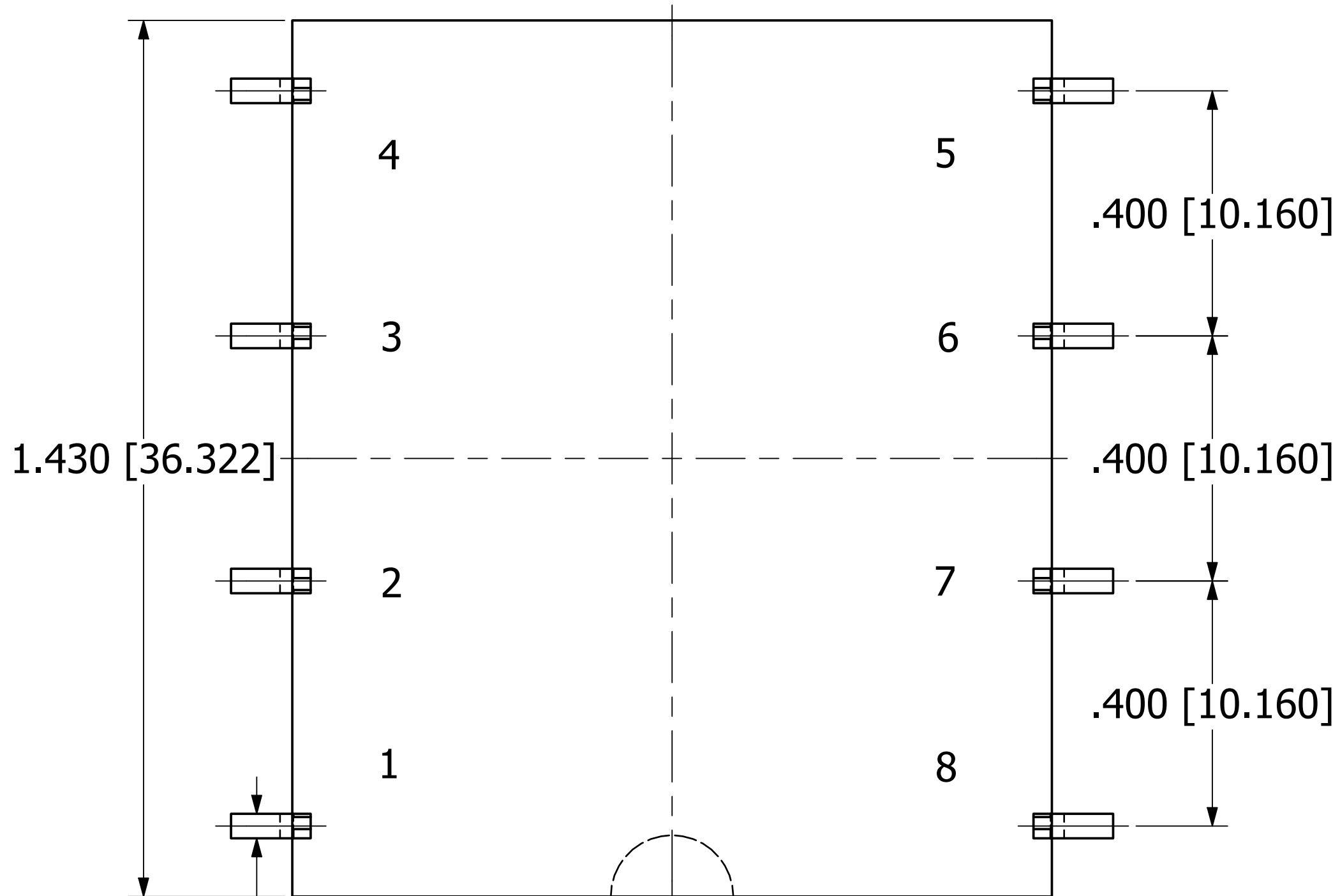
1

NOTES

a. ALL DIMENSIONS ARE IN INCHES, [] = MM



PIN NO.	DUAL
1	-IN
2	NC
3	NC
4	+IN
5	+OUT 1
6	-OUT 1
7	+OUT 2
8	-OUT 2



BOTTOM VIEW

PROPRIETARY AND CONFIDENTIAL

THE INFORMATION CONTAINED IN THIS DRAWING IS THE SOLE PROPERTY OF PICO ELECTRONICS INC. ANY REPRODUCTION IN PART OR AS A WHOLE WITHOUT THE WRITTEN PERMISSION OF PICO ELECTRONICS INC. IS PROHIBITED

DRAWN	P.PALUCH	PICO Electronics	143 Sparks Ave Village of Pelham, NY 10803	
CHECKED	H. VIDAURRE			
QA		SERIES SE - DUAL		
MFG				
APPROVED		SIZE	DWG NO	REV
REVISION DATE	06/06/2023	C		3
		SCALE	NTS	www.picoelectronics.com

4

3

2

1